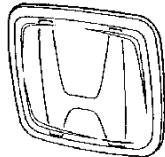
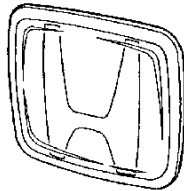
 <b>HONDA</b> <b>INSTALLATION</b> <b>INSTRUCTIONS</b>	Accessory <b>BLACK CHROME</b> <b>EMBLEM KIT</b> P/N 08F20-S2A-100	Application 2000 S2000	Publications No. <b>All 20587</b>
			Issue Date <b>AUG 1999</b>

**PARTS LIST**

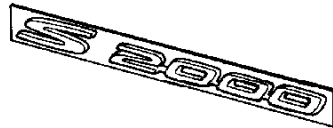
Front "H" emblem



Rear "H" emblem



2 Side emblems



2 Push nuts



**TOOLS AND SUPPLIES REQUIRED**

- Isopropyl alcohol
- Shop towel
- Long nose pliers
- Masking tape
- String

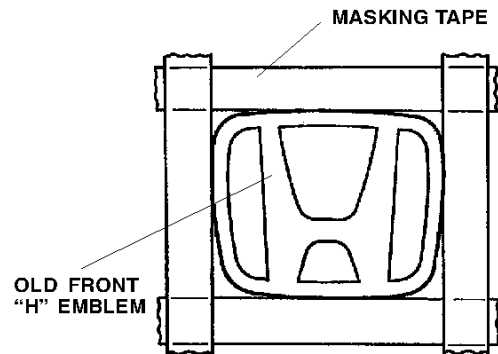
**INSTALLATION**

**NOTE:**

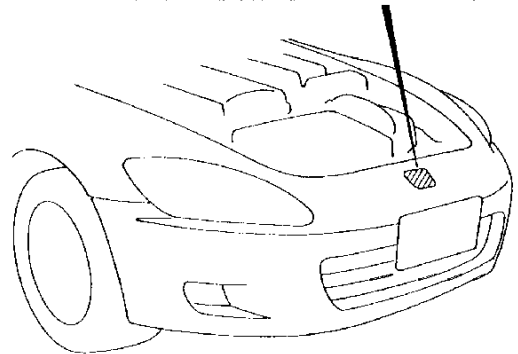
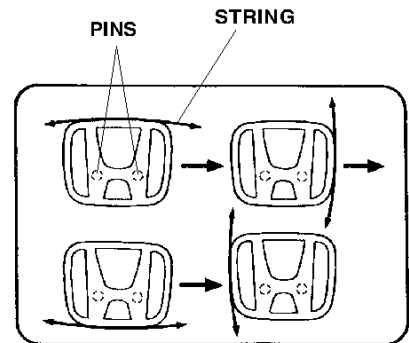
- Be extremely careful not to damage the body finish when removing and installing the emblems.
- This emblem kit should only be installed if the ambient air temperature is 60°F (15°C) or above.
- To allow the adhesive to "cure," do not wash the car for 24 hours.

**Installing the Front "H" Emblem**

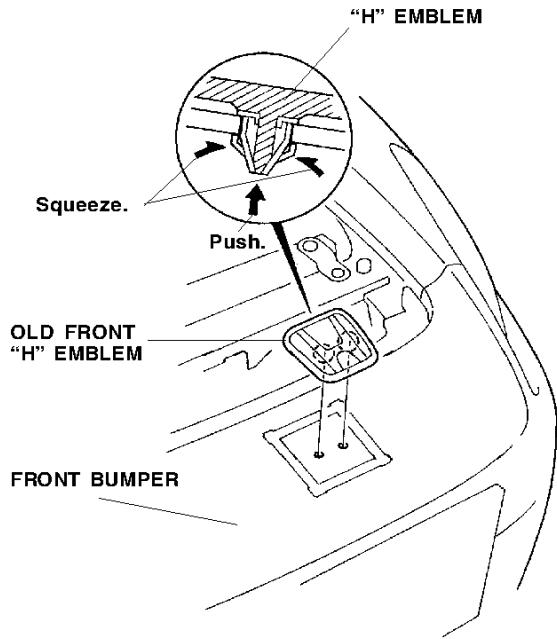
1. To prevent damage to the front bumper, apply masking tape along the four edges of the existing emblem.



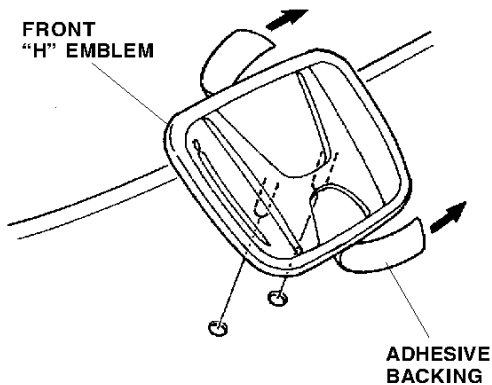
2. Using a piece of string, remove the emblem from the bumper. Move the string in the directions shown to cut the emblem free.



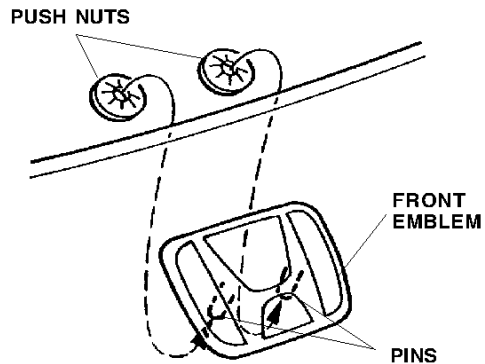
- Open the hood, and locate the two pins extending from the "H" emblem. Reach behind the front bumper, squeeze the retaining tabs on the pins, and remove the emblem.



- Using isopropyl alcohol on a shop towel, clean the area where the emblem was removed.
- Remove the adhesive backing from the new "H" emblem, and attach it to the front bumper by aligning the locating pins with the holes in the front bumper. Press the emblem firmly against the front bumper with the palm of your hand.

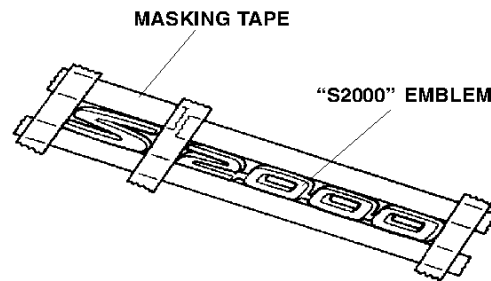


- Attach the emblem with the push nuts.

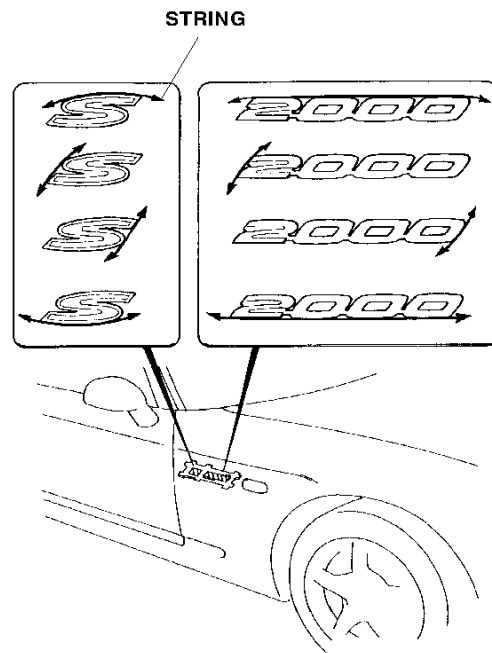


#### Installing the "S2000" Emblem

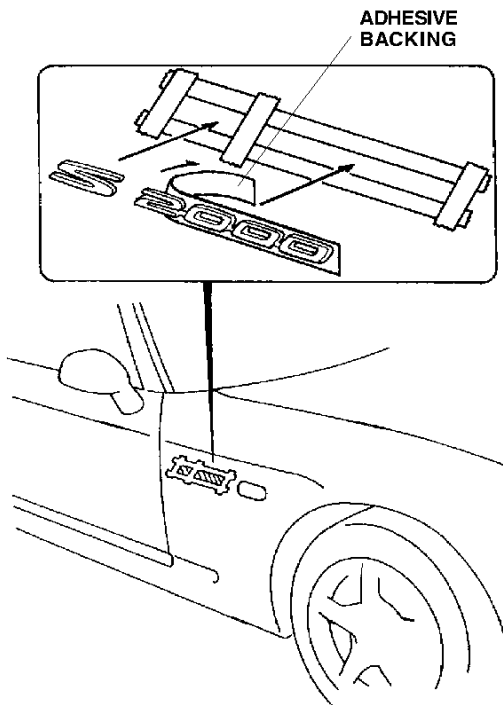
- To prevent damage to the body finish, apply masking tape around the existing "S2000" emblem.



- Using a piece of string, remove the emblem.



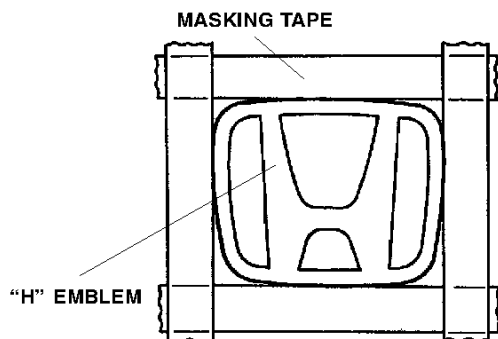
9. Using isopropyl alcohol on a shop towel, clean the area where the emblem was removed.
10. Remove the adhesive backings from the new "S2000" emblem, and install them on the vehicle so they line up with the masking tape.



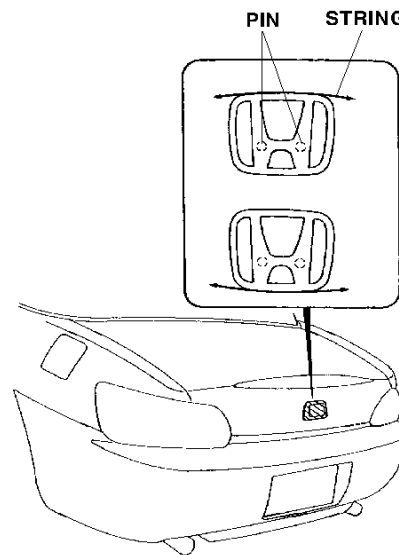
11. Repeat steps 7 through 10 to install the other "S2000" emblem.
12. Remove the masking tape.

### Installing the Rear "H" Emblem

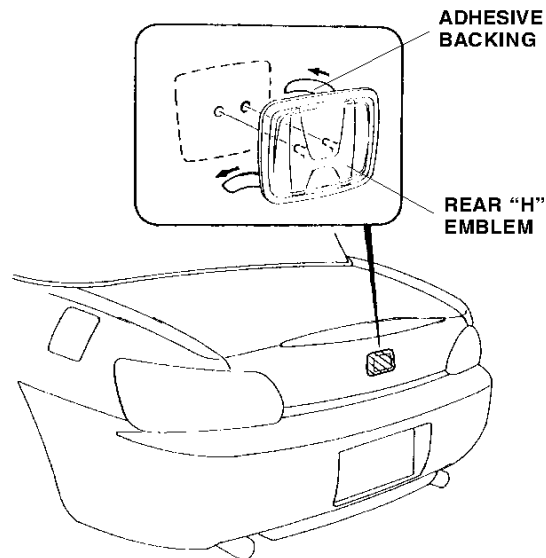
13. To prevent damage to the trunk lid, apply masking tape along the four edges of the existing rear "H" emblem.



14. Using a piece of string, remove the emblem from the trunk lid. Move the string in the directions shown to cut the emblem free. Take care not to damage the body finish.



15. Remove the emblem pin inserts from the trunk lid. Using isopropyl alcohol on a shop towel, clean the area where the emblem was removed.
16. Remove the adhesive backing from the new "H" emblem, and attach it to the trunk lid by aligning the locating pins with the holes in the trunk. Press the emblem firmly against the trunk lid with the palm of your hand.



17. Remove the masking tape.